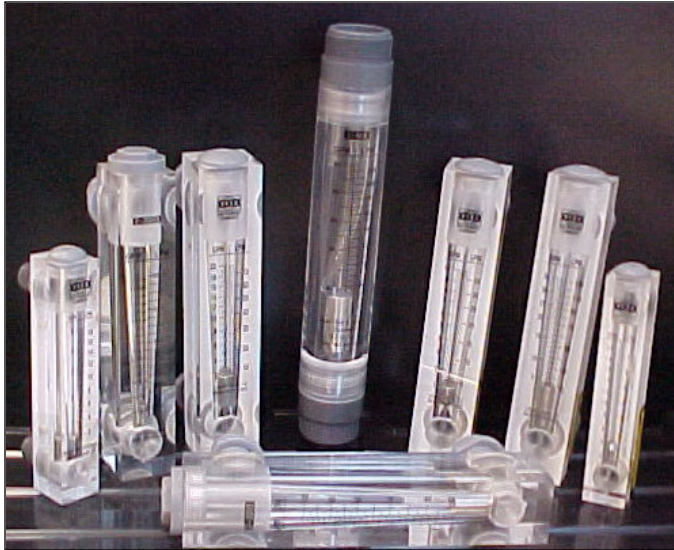
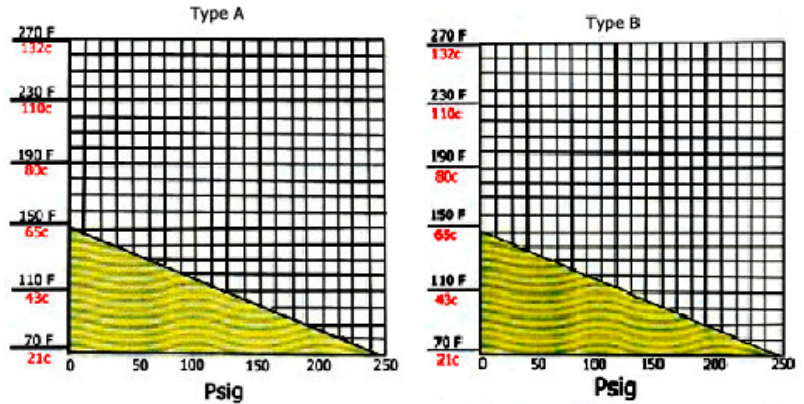


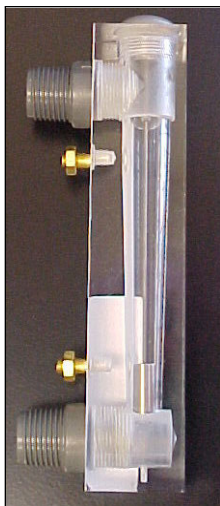
FLOW METERS



Liquid Flow Meters for Commercial and Industrial Applications



Part #	GPM	LPM	Amm	Bmm	Cmm	Dmm	Emm	NPT	Type	Style
W-ACCS-FME0-0202	.2 – 2	1 – 7	206	34	40	70	128	1/2"	A	B
W-ACCS-FME0-0505	.5 – 5	1.8 – 18	206	34	40	70	128	1/2"	A	B
W-ACCS-FME0-1010	1 – 10	5 – 35	220	41	45	92	165	1"	A	A
W-ACCS-FMPM-210A	2 – 10	8 – 40	220	41	45	92	165	3/4"	A	B
W-ACCS-FME0-2020	2 – 20	10 – 70	225	45	45	92	165	1"	A	B
W-ACCS-FME0-4024	4 – 24	10 – 100	240	44	50	98	175	1"	A	A
W-ACCS-FME0-5035	5 – 35	10 – 130	240	44	50	98	175	1"	A	B
W-ACCS-FME2-0060	20 – 60	80 – 220	-----	-----	-----	-----	-----	1 1/2"	B	C



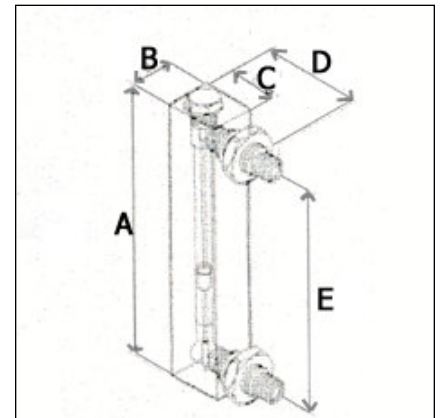
Style A
(Mounting Screws)



Style B
(No Mounting Screws)



Style C
(Flow Through)



WEST HEAT INDUSTRIES LTD