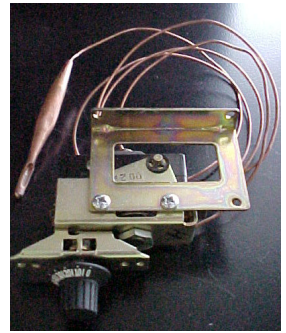


OUTDOOR HEAT PUMP THERMOSTAT

- Dual mounting brackets for front mount, or rear mount
- 0-50°F Range
- Single pole double throw switch action
- 6°F temperature differential
- Used to keep auxiliary heat off above setpoint, or to turn off heat pump below setpoint
- 48" copper capillary bulb
- Mounts inside heat pump cabinet
- Connections via terminal screws
- Calibrated temperature scale on knob

H-TSDR-HP35-8Y00-0000



BI-METAL SNAP-ACTION TEMPERATURE CONTROL

Bi-metal temperature controls offer proven reliability in a versatile, cost-effective design. The snap action of the temperature sensing bimetal disc provides high-speed contact separation, resulting in exceptional life characteristics at electrical loads up to 25 amps at 240VAC. A wide variety of terminal and mounting configurations are available for maximum design flexibility.

Additional Features & Benefits:

Available with automatic and manual reset SPST (Single Pole, Single Throw) or automatic reset SPDT (Single Pole, Double Throw) switch configurations



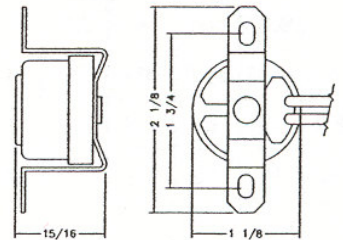
CONTACT WEST HEAT SALES DEPT. FOR MORE INFORMATION

SNAP-DISC CONTROL PANEL THERMOSTAT

These thermostats have been designed to control low wattage which are commonly used to heat control panels to prevent damaging internal moisture buildup at low temperatures.

- Contact Rating: Single Pole 10 amps, 120 S amp 240 Volts
- Temperature Setting:
Open Temp: 45 ±5°F
Close Temp: 35 ±6°F
- 12" Lead Wires

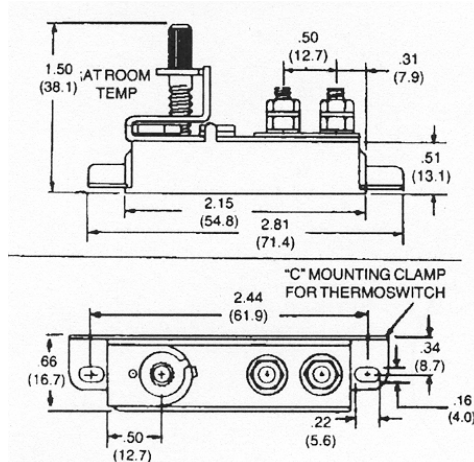
H-RSD0-DPC3-0525-0000



SURFACE MOUNTING TEMPERATURE CONTROLLERS

FEATURES:

- Fully adjustable
- Overlapping ranges from 50°F to 600°F
- 1200 Watt resistive load rating at 120VAC/240VAC
- Narrow temperature differential
- UL component recognized
- CSA certified
- Economical
- Compact Size: 2" x 1/2" x 5/8"
- Mounting clamp included
- Opens on Temperature Rise
- Current Rating (resistive):
120VAC – 10amps
240VAC – 5 amps
- 1500 VAC 60 Hz Dielectric Strength



Description	Temp. Range	Part #
Adjustable, low temperature type	50°F to 300°F	H-TSDR-3000-0000-0000
	85°F to 250°F	H-TSDR-3000-0480-0000
Adjustable, high temperature type	50°F to 600°F	H-TSDR-B000-1200-0000

WEST HEAT INDUSTRIES LTD

1680 Church Avenue
Winnipeg, Manitoba R2X 2W9
www.westheat.com

ELECTRICAL HEATING DIVISION

Phone: (204) 694-2129
Fax: (204) 694-2098
Fax Orders To: 1-800 358-7711