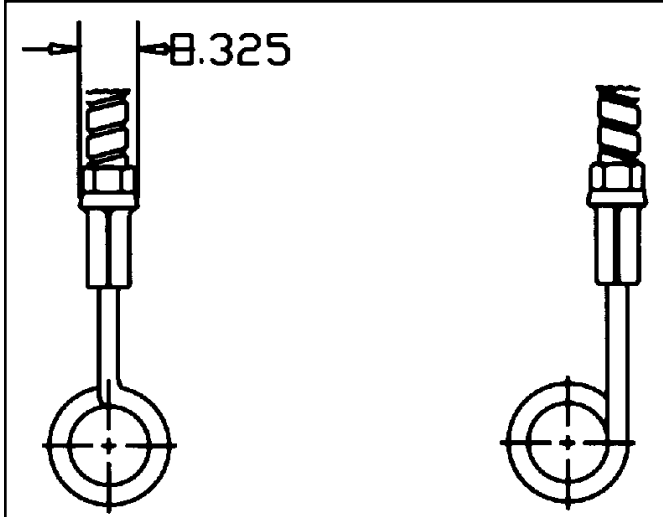




COIL HEATERS



Coil heaters are the ultimate in design and technology in coiled-type heaters. This heating element offers full surface contact far superior to the standard round or square designs. Design-tested and proven to show longer life due to a more durable construction as well as offering uniform heat distribution along the length of the heater. We offer a large factory stock available in several sizes. Standard features include internal thermocouple, Type J, flat coil design, proportional profiling, 3/4" conduit or fiberglass sleeving, and 36" leadwires. Standard I.D. 0.500, 0.750, 0.866, 0.875, 0.984 nominal I.D. flattened.



STANDARD

OPTIONAL

LEADWIRE VARIATIONS

- Fiberglass silicone insulated
- Flexible metal sleeving
- Flexible braided metal sleeving
- Teflon sleeving
- Flexible metal sleeving

*Other leadwire variations available.

*Consult sales office.

* For special bend configurations, tooling charges, or other requirements, consult your nearest sales office for assistance. *

WEST HEAT INDUSTRIES LTD

1680 Church Avenue
Winnipeg, Manitoba R2X 2W9
www.westheat.com

ELECTRICAL HEATING DIVISION

Phone: (204) 694-2129
Fax: (204) 694-2098
Fax Orders To: 1-800 358-7711