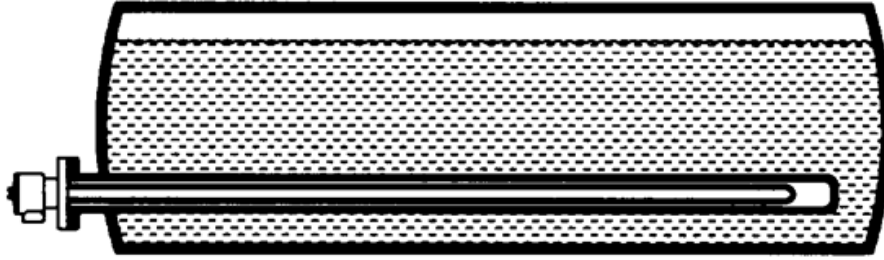


Pipe Insert Heater



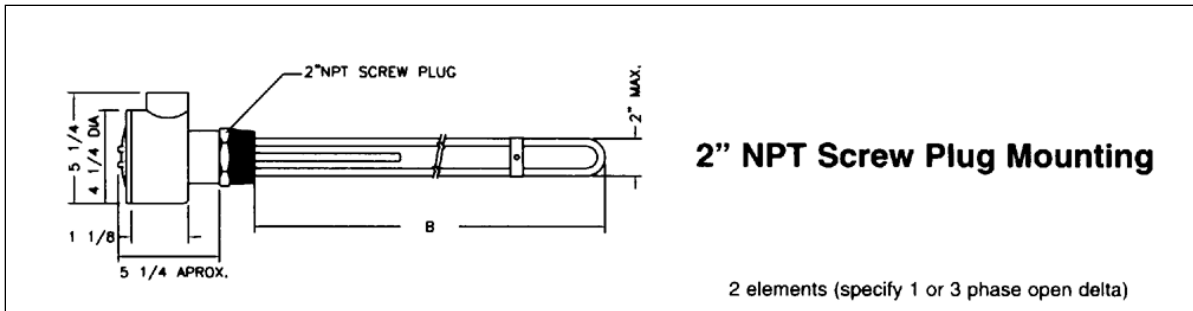
Features:

Incoloy element(s)
Up to 600 volts
Weather Resistant Terminal Box

(specify voltage when ordering)

Typically to Heat:

asphalt, tar, starch,
glucose, sugar,
large storage tanks,
Corrosive liquid



2" NPT Screw Plug Mounting

2 elements (specify 1 or 3 phase open delta)

1 Element:

kw	insert length (ft) into pipe	catalogue number		net weight (lb)
		standard	with "K" thermocouple	
1	2 1/2	SPH-1001MR	SPHK-1001MR	8
2	4 1/2	SPH-1002MR	SPHK-1002MR	10
3	6 1/2	SPH-1003MR	SPHK-1003MR	12
4	8 1/2	SPH-1004MR	SPHK-1004MR	14
5	10 1/2	SPH-1005MR	SPHK-1005MR	16
6	11 1/2	SPH-1006MR	SPHK-1006MR	18

2 Elements (specify 1 or 3 phase open delta)

kw	insert length (ft) into pipe	catalogue number		net weight (lb)
		standard	with "K" thermocouple	
1.5	2 1/2	SPH-2001MR	SPHK-2001MR	9
3.0	4 1/2	SPH-2003MR	SPHK-2003MR	11
4.0	6 1/2	SPH-2004MR	SPHK-2004MR	13
6.0	8 1/2	SPH-2006MR	SPHK-2006MR	15
7.5	10 1/2	SPH-2007MR	SPHK-2007MR	17
8.5	11 1/2	SPH-2008MR	SPHK-2008MR	19

WEST HEAT INDUSTRIES LTD

1680 Church Avenue
Winnipeg, Manitoba R2X 2W9
www.westheat.com

ELECTRICAL HEATING DIVISION

Phone: (204) 694-2129
Fax: (204) 694-2098
Fax Orders To: 1-800 358-7711